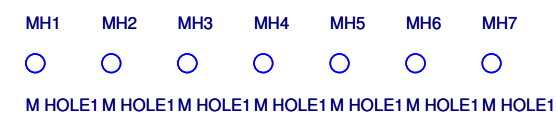
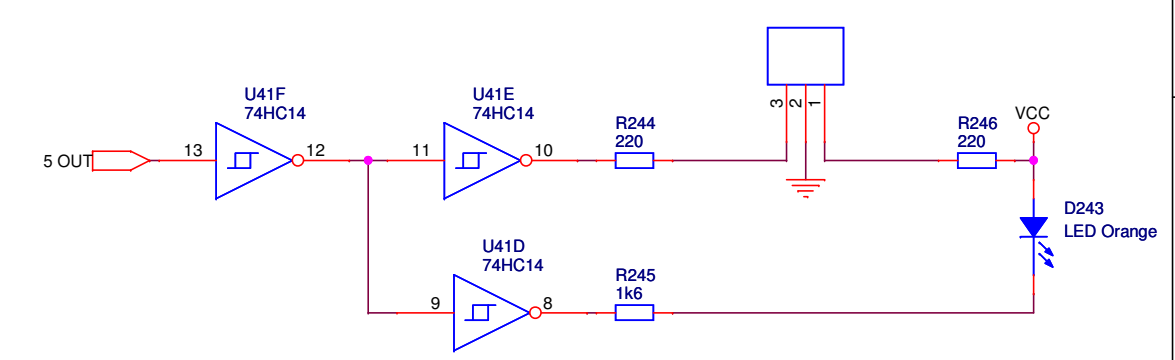
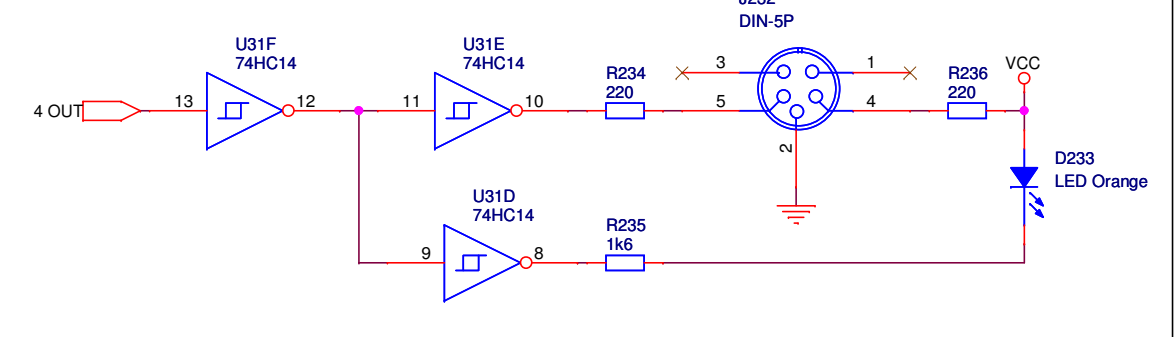
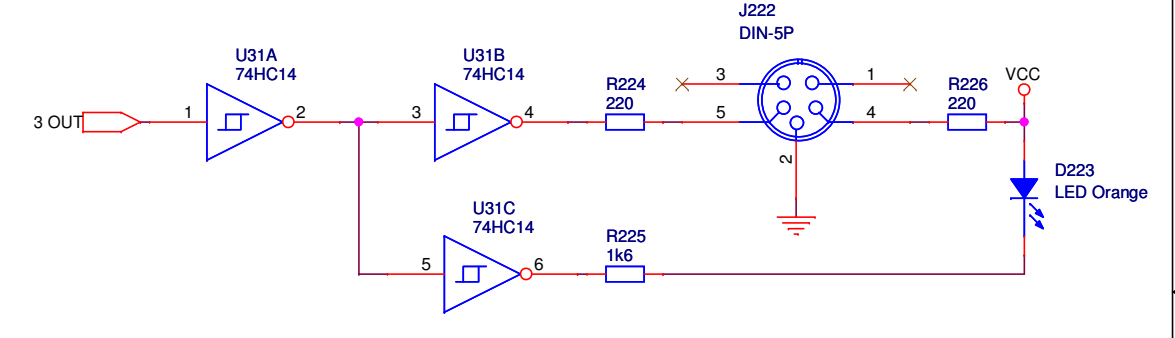
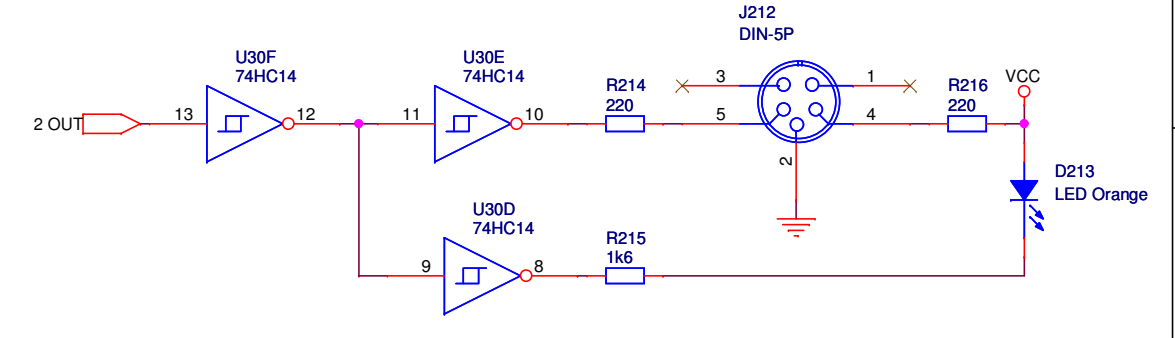
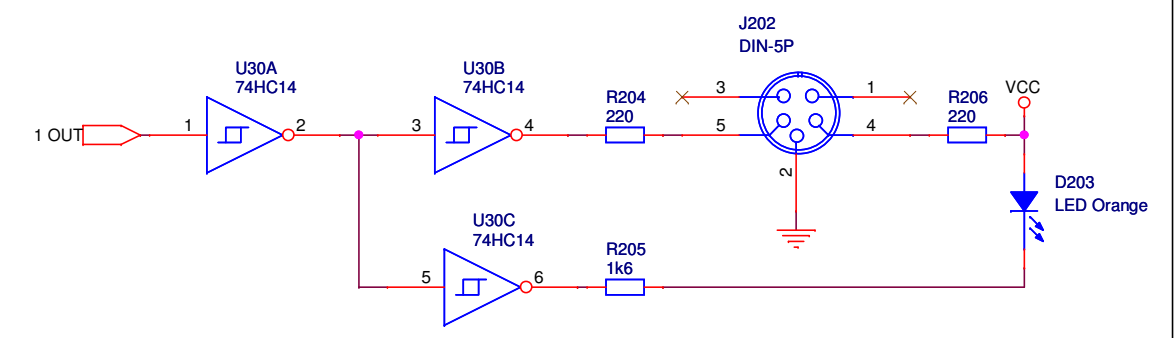
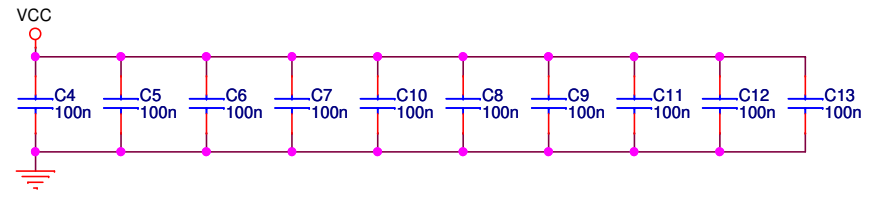
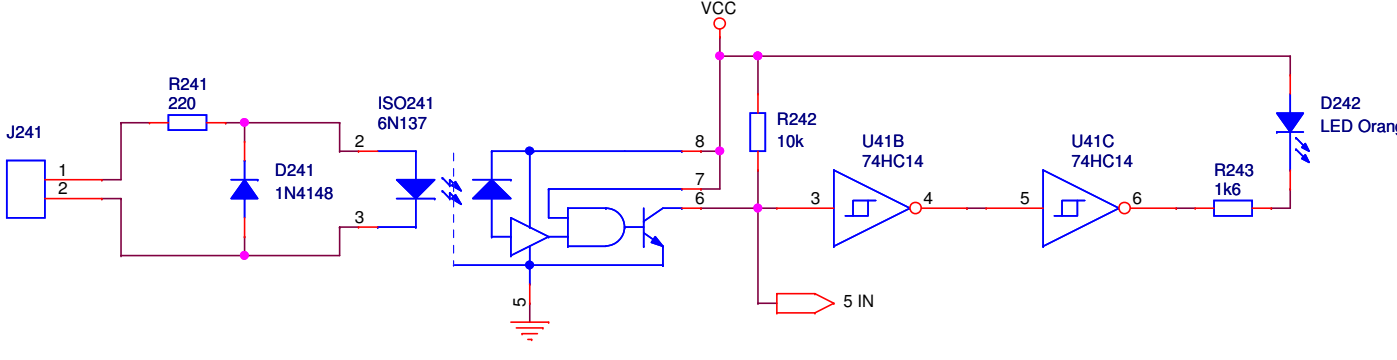
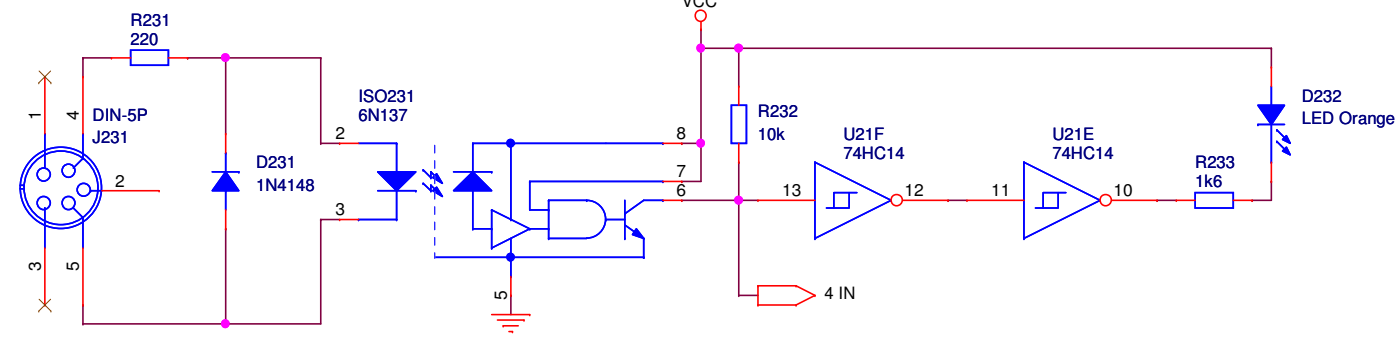
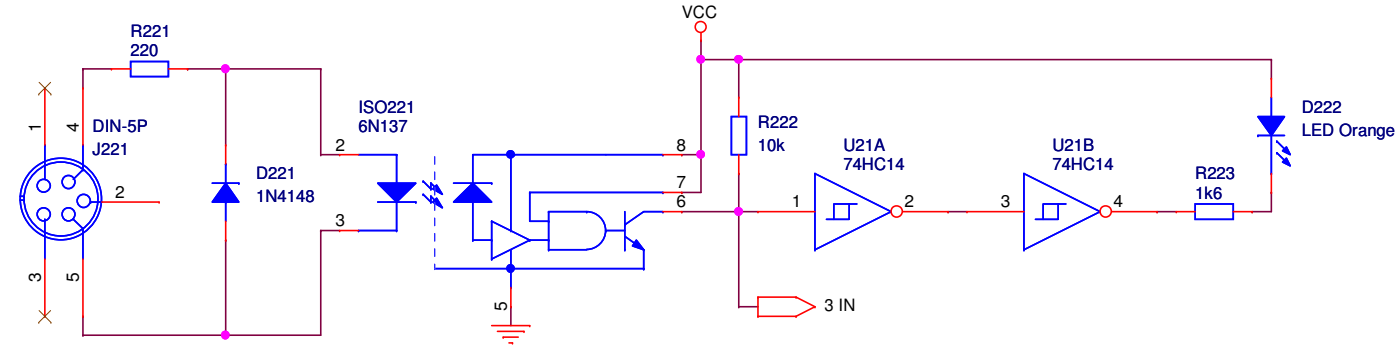
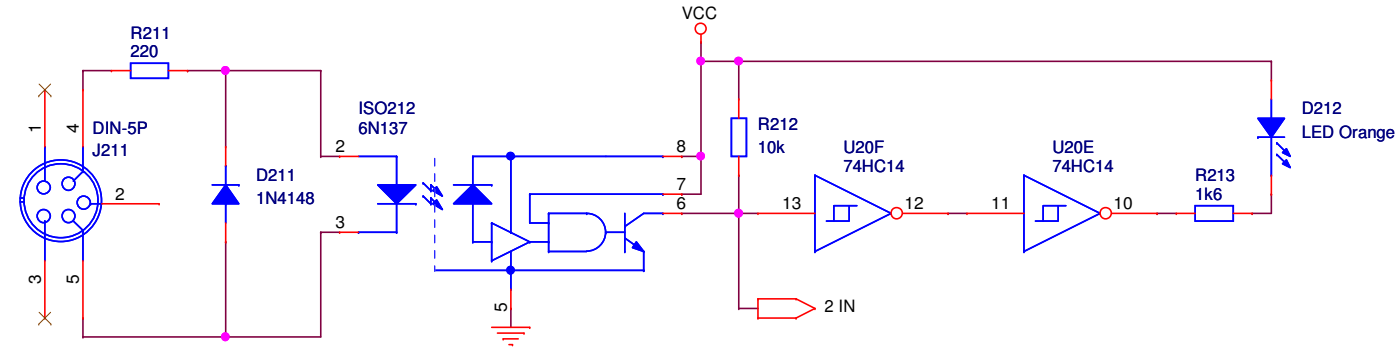
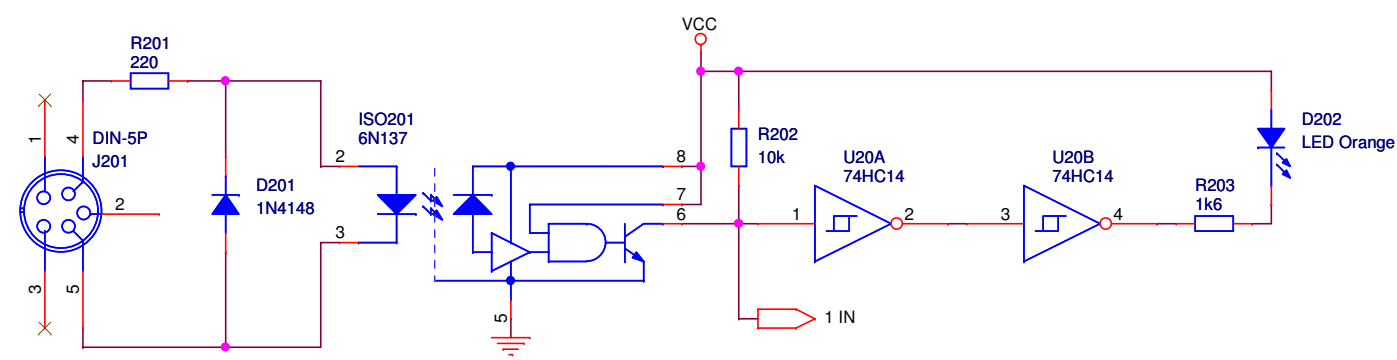


Title		
GEE205-0002		
Size	Document Number	Rev
A3	100-711 BACKPANEL_MIDI, Control	A
Date:	Friday, July 03, 2009	Sheet 1 of 1



Title		
GEE205-0002		
Size	Document Number	Rev
A3	100-711 BACKPANEL_MIDI_IO	A
Date:	Monday, July 06, 2009	Sheet 1 of 1